

# Suction Cranes

NOTHING IS OUT OF REACH



## A word about our Suction Cranes

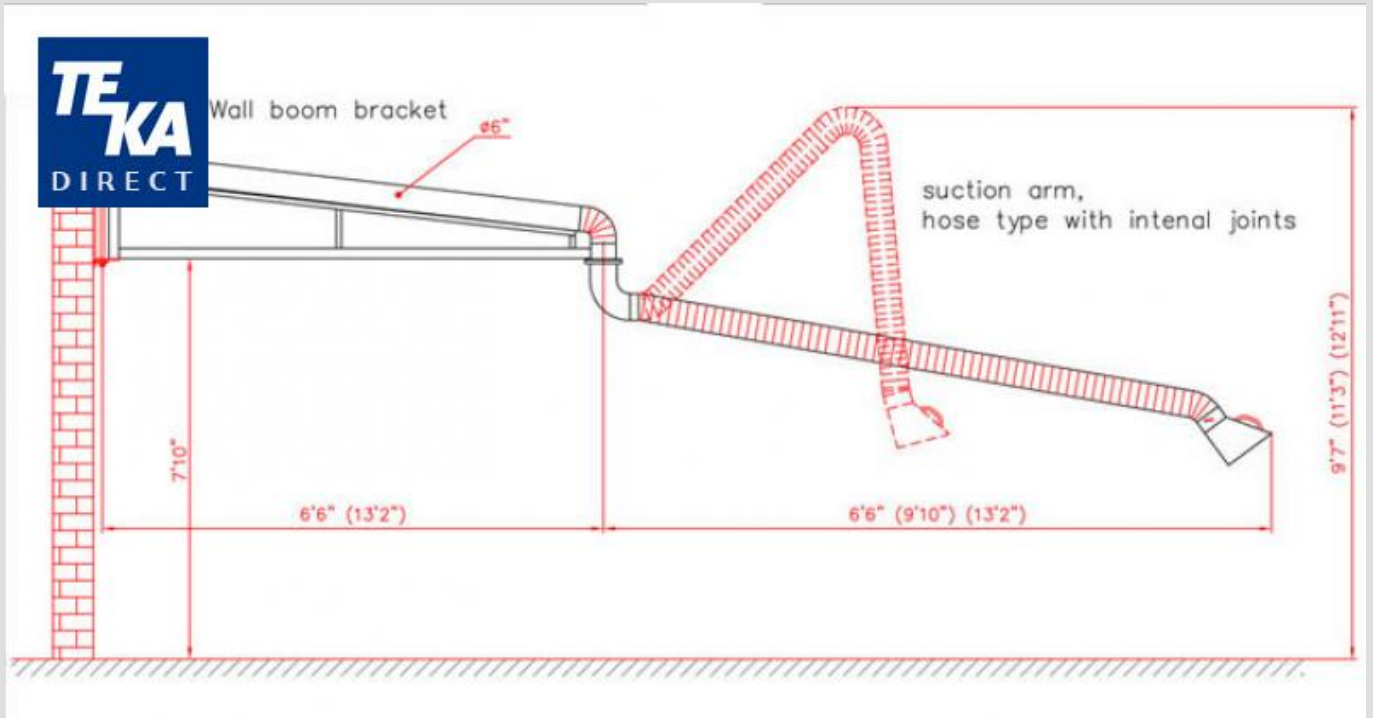
Longer suction arms with a reach of up to 19 ft. The cranes consist of a wall bracket with a pipe and a flexible arm with internal joints and a suction hood. Pipe and hose diameter is 6".

Suction arms can be connected to central filter units or individual fans.

## Technical information

Max. volumetric flow of the fan [cfm]:
Max. pressure [Pa]:
Air intake dia.:
Pre-filter:
Main-filter:
Engine performance [kW]:
Voltage [V]:
Power Frequency of control [Hz]:
Rated current [A]:
Protection type:
Weight [lbs]:
Height [in]:
Depth [in]:
Width [in]:
Separation efficiency [%]:





*Powerful clean air!*

*TEKA filtration systems  
1218 Guinotte Ave  
Kansas City, MO 64120  
USA*

*Phone: 816 842 1773  
Email: [info@teka-direct.com](mailto:info@teka-direct.com)  
Web: <http://teka-direct.com>*

